

## CT-22-12000.GB – Preliminary Datasheet

Highly compact, high-speed, electrically driven radial turbo compressor with gas bearing for the circulation and compression of various gases and refrigerants.

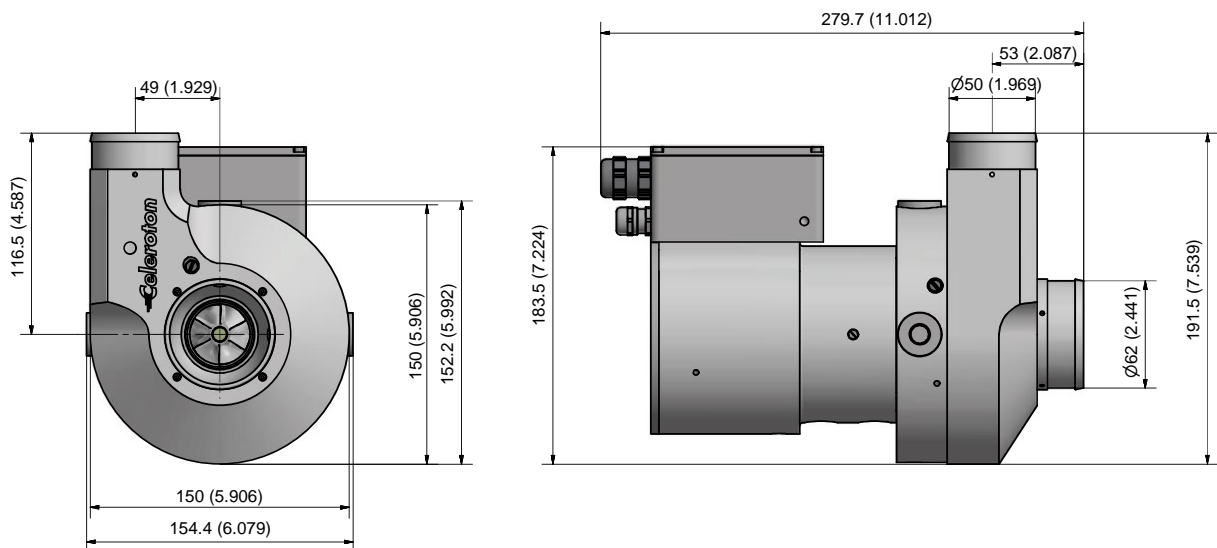
- High-speed gas bearings for oil free operation
- Lowest ratio of volume and weight versus pressure and mass flow due to highest speeds
- Aerodynamic and electromagnetic optimization for highest total efficiency
- Integrated temperature measurement for overload protection



### Specifications turbo compressor

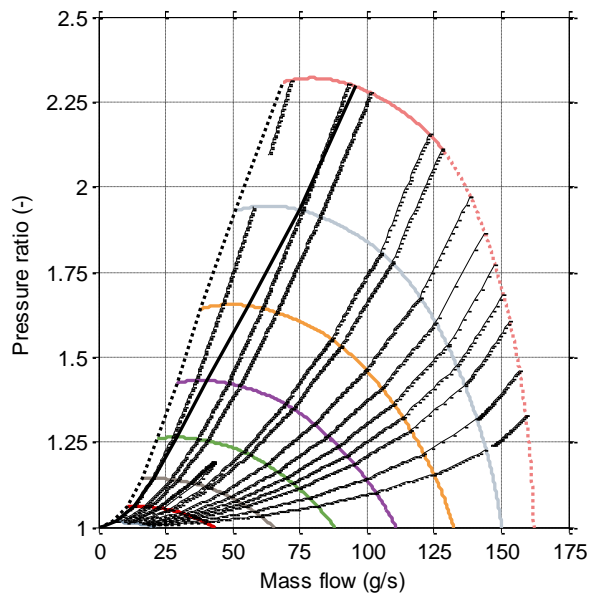
Maximum pressure ratio	2.2
Maximum mass flow	150 g/s
Rated power	12 kW
Weight	9 kg
Input voltage converter for full performance	200 – 420 VDC
Cooling	Water cooling

### Drawing (in mm)

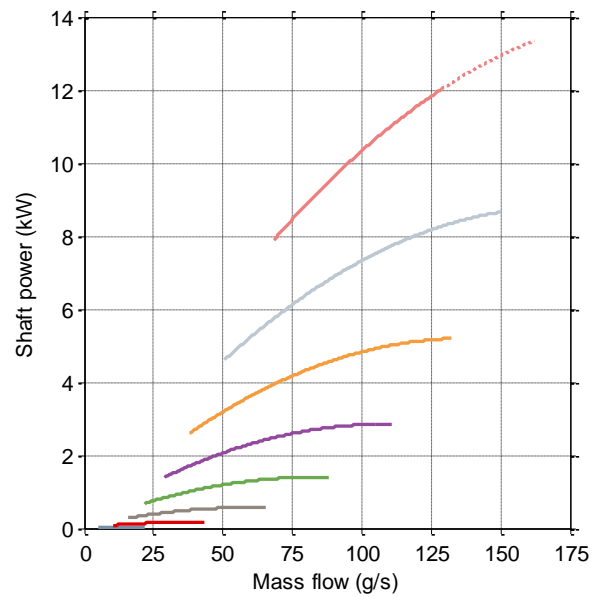


## Compressor maps: overpressure operation

Pressure ratio versus mass flow



Shaft power versus mass flow



The specifications and compressor maps in this datasheet for overpressure operation refer to air (ISO 8778) at the inlet: temperature:  $T = 293.15 \text{ K} = 20^\circ\text{C}$ , pressure:  $p_{in} = 1 \text{ bar}$ .

For technical details and further information please refer to the user's manual.